

SELCO USA, INC.

7094 Peachtree Industrial Blvd, Suite 170, Norcross, GA 30071

Phone 1-877-735-2687 or 770-455-9110 Fax 770-457-3754

www.SELCOUSA.com INFO@SELCOUSA.com

UNINTERRUPTIBLE POWER SUPPLY

DESCRIPTION:

This quality designed uninterruptible power supply is designed for the marine industry to maintain DC power on critical equipment during blackouts. The high capacity batteries enables equipment to maintain powered up for more than 60 minutes after a full charge, when AC power is lost. It is manufactured with voltmeters on the door to indicate both AC input voltage and DC output voltage, enabling the user to monitor the status of the backup power. To alarm to ships alarm system there are both AC and DC alarm contacts installed.



FEATURES:

- Galvanic Isolated alarm relays
- Alarm relay for loss of AC voltage with normally open and normally closed contact
- Alarm relay for loss of DC voltage with normally open and normally closed contact
- Diode isolation of backup battery and power supply
- 6A Breaker installed for AC input
- 10A Breaker installed for DC output
- AC and DC voltmeter on front

SPECIFICATIONS:

AC INPUT:

- Voltage 93-132VAC or 187-250VAC (selectable)

- Frequency 47-63Hz
- Current (115VAC) 5.4A, (230VAC) 3.3A
- Alarm relay 15A contact rating, LED indication and test button

DC OUTPUT:

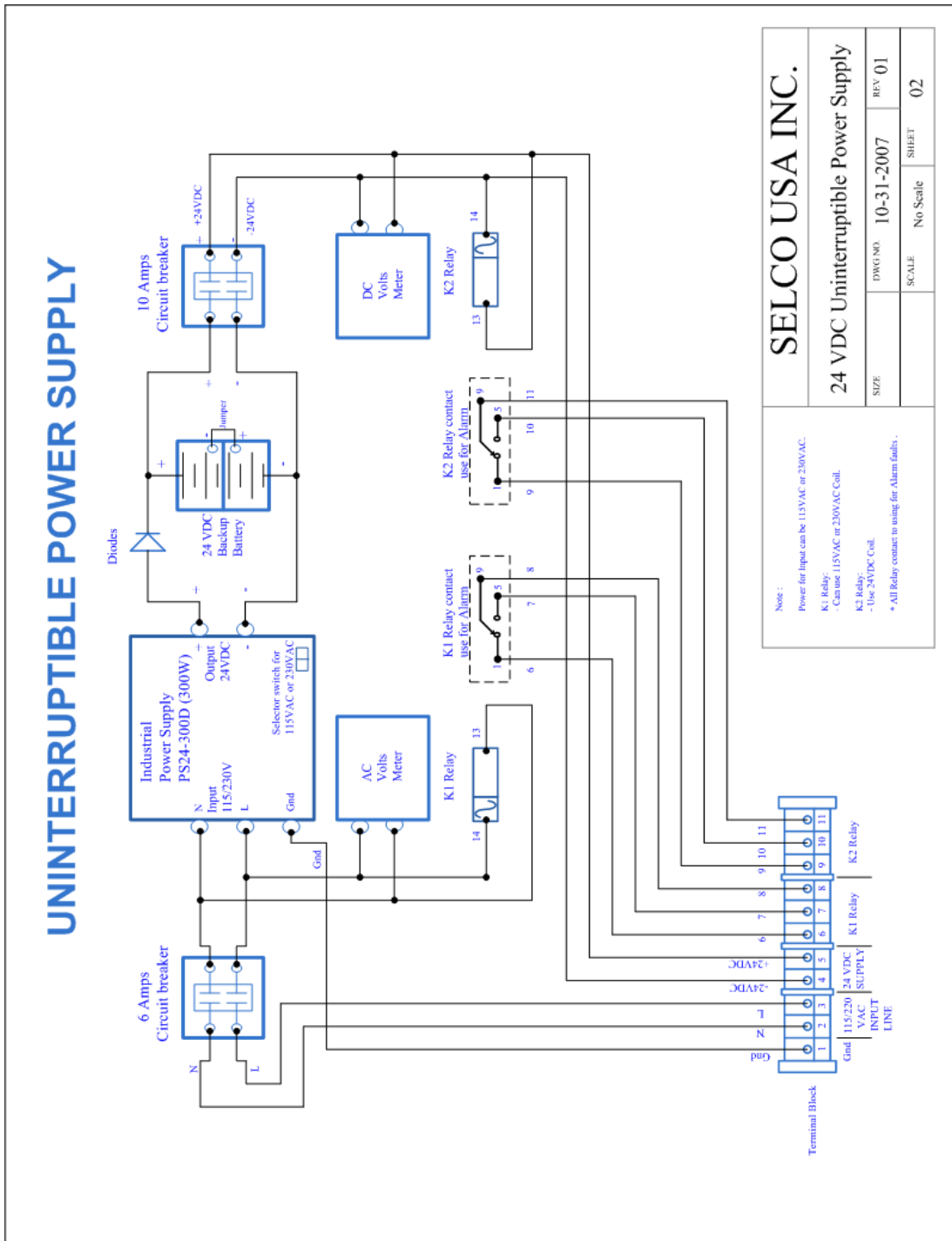
- Voltage 24-28VDC
- Current 10ADC
- Load 240W
- Capacity 12Ah
- Alarm relay 15A contact rating, LED indication and test button

OTHER:

- Weight 35lb
- Dimensions 16" x 14" x 8"
- UL/ABS Components

SELCO USA, INC.

7094 Peachtree Industrial Blvd, Suite 170, Norcross, GA 30071
 Phone 1-877-735-2687 or 770-455-9110 Fax 770-457-3754
 www.SELCOUSA.com INFO@SELCOUSA.com



HOW TO ORDER:
 24VDC version: UPS 24V