

E7895-72 E

- ★ Direct access to manual operation of potentiometer.
- ★ Low speed synchronous motor for accurate control with no coast time.
- ★ 2 LED's indicating "increase" and "decrease".
- ★ Same type for 50Hz and 60Hz.
- ★ Any potentiometer with 6 mm or 1/4" shaft can be fitted.

Application

The motorized potentiometer is mainly intended for control of electronic governors from the SELCO Auto-synchronizer T4500 and Load Sharer T4800.

To obtain this the speed setting potentiometer supplied with the governor, can be built into the Motorized Potentiometer and via this unit the frequency and load of the governor is controlled. It is important in this situation that the governor can operate with droop. The Motorized Potentiometer can also be used alone for full range speed adjustment or speed trim of electronic governors. Another application is control of generator voltage, P.F. and reactive load via the potentiometer for generator voltage adjustment. These are only some examples of many industrial applications.

On DC versions the speed is adjustable by inbuilt trimpotentiometer, which is an advantage for stabilising control circuits.



Function

The Motorized Potentiometer is an assembly of a potentiometer and an electric motor connected with a coupling. There is a direct mechanical link between the potentiometer and the knob which gives access to adjusting the potentiometer in situations where manual control is necessary. On DC version the motor is an electric stepper motor, with the frequency controlled by an electronic circuit. DC version has adjustment of revolutions per minute, 0.8 rpm to 6 rpm. (75 secs to 10 secs per revolution)



adjustment of rpm, only DC version

Changing Potentiometer

To fit into the assembly, the potentiometer to be attached must have a 6 mm or 1/4" shaft diameter and a shaft length of 20.6 mm measured from the part of the potentiometer that touches the outside of the backplate to the end of the shaft. Unscrew the backplate and remove the supplied potentiometer. Remove the clutch and fit to new potentiometer. Fasten it firmly with a 0,05" Allen Key. Replace the backplate and fasten it with four screws, observing that the clutch has a firm connection. Adjust the knob for symmetrical turning angle using the centrescrews on the knob under the cap.

SELCO USA, INC.

Motorized Potentiometer E7800

E7895-72 E

Type Description

Type	Supply	RPM	Potm.
E7800-00-xx	220V-240V AC	1,0 (50Hz)	5kohm - 1 turn
E7800-01-xx	220V-240V AC	2,0 (50Hz)	5kohm - 10 turn
E7800-02-xx	100V-110V AC	1,0 (50Hz)	5kohm - 1 turn
E7800-03-xx	24V AC	2,0 (50Hz)	5kohm - 10 turn
E7800-04-xx	100V-110V AC	2,0 (50Hz)	5kohm - 10 turn
E7800-05-xx	220V-240V AC	2,0 (50Hz)	5kohm - 1 turn
E7800-09-xx	24V AC	1,0 (50Hz)	5kohm - 1 turn
E7800-21-xx	12V DC	0.8-6 Adj.	5kohm - 1 turn
E7800-22-xx	12V DC	0.8-6 Adj.	5kohm - 10 turn
E7800-23-xx	24V DC	0.8-6 Adj.	5kohm - 1 turn
E7800-24-xx	24V DC	0.8-6 Adj.	5kohm - 10 turn
E7800-90-00	24V DC	0.8-6 Adj.	DC output voltage 0-1.0V (0-100%)

Please indicate potentiometer value by replacing "xx" letters with digits according to the table below:

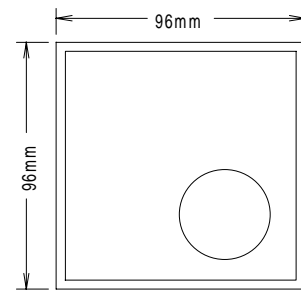
Index "xx"	Potentiometer value
00	5kohm (standard)
01	100ohm
02	200ohm
03	500ohm
04	1kohm
05	2kohm
06	10kohm

Power rating @ 40°C: 3W (2W @ 70°C)

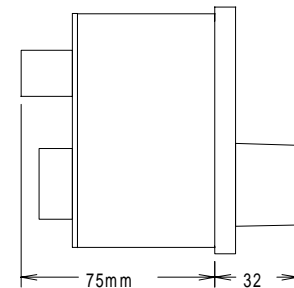
Please note the motorized Potentiometer can not be used for both AC and DC.
Must be specified to order.
Other voltages and combinations are available on request.

Specifications

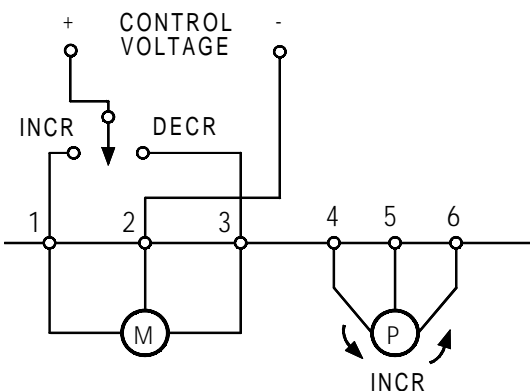
Consumption	: AC: 2,5VA DC: 2W
Voltage range	: AC: -10 +20% DC: ±25%
Temperature range	: -15 +70°C
Dielectric test	: 2kV. 50Hz. 1 minute
Coast time	: Zero
Dimensions	: 96 x 96 x 80mm (H x W x D)
Weight	: 0135kg
Approvals	: CSA, UL component recognition



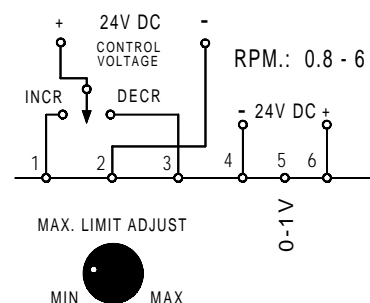
Cut out 92 x 92mm



Application diagrams



For E7800-90



SELCO USA, INC.

2508 Lakebrook Court
Atlanta, GA 30360-1715
Telephone: (770) 455-9110 / 1-877-735-2687
Telefax: (770) 457-3754
Web: www.SELCOUSA.com