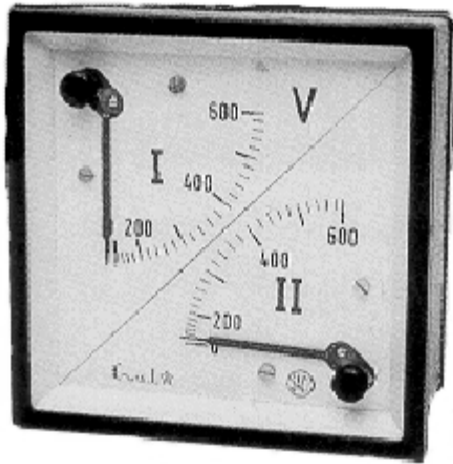


Double Voltmeter



<i>Part #</i>	<i>Dim.</i>
96VACII	96mm Sq. / 3.78" Sq.
144VACII	144mm Sq. / 5.67" Sq.

Part# Example: 96VACII 0-230V

SPECIFICATIONS:

Input: Direct or via PT

Accuracy 1.5%

Frequency Range 15 – 100Hz

Cutout Dim:

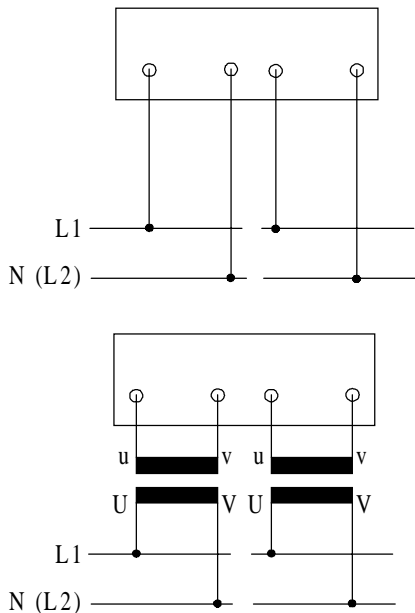
96VACII 92mm +0.8mm / 3.622" +0.032"

144VACII 138mm +1.0mm / 5.433" +0.039"

Approximate Consumption in VA: 1.5 – 3.5

<i>Range</i>	<i>Sale Range</i>
2x.../100V	-
2x100V	2x160V
2x110V	2x175V
2x230V	2x365V
2x400V	2x635V
2x440V	2x440V

Wiring Diagram



SELCO USA, INC.

Phone (770) 455-9110 / 1-877-SELCOUS

Fax (770) 457-3754

www.SELCOUSA.com