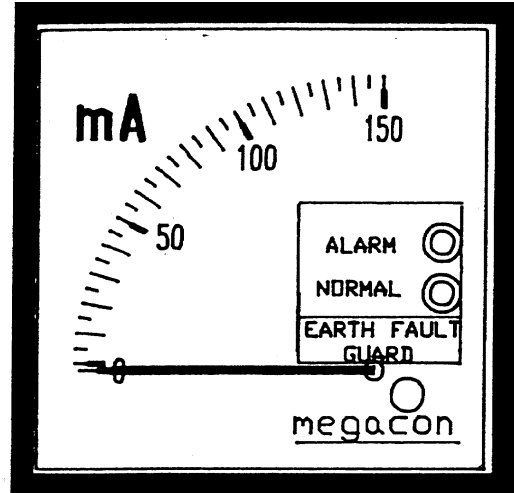


KPM162

Automatic Earth Current Guard

Indication of earth fault current

Relays for warning and alarm



FEATURES

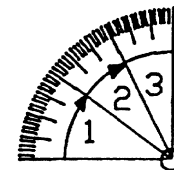
This triple zone control instrument, in conjunction with a core balance current transformer, measures and monitors the earth current level of earthed, single or three phase A.C. distribution networks. KPM162 operates on the principle that the sum of all phase current in a fault free system is zero. When an earth fault is present the meter will give accurate indication. As standard the scale is 0-150mA. Larger scale values such as 0-1A, 0-2A, 0-5A, 0-10A are available.

All load carrying conductors in single or three phase branches pass through the residual current transformer. The cables outer metal sheath or braid must not pass through the transformer.

On applying auxiliary power to the instrument, it is possible that the indicator will have a reading due to system capacitive currents. A zero set potentiometer (E) is provided to allow error compensation.

KPM162 has three adjustable zones of operation. Zone 1 is the permitted earth current level. Zone 2 gives warning deviation from normal. Zone 3 gives alarm of hazardous condition. The warning and alarm relays have adjustable time delays to allow faults of short duration to clear before corrective action is taken.

<u>Zone</u>	<u>Condition</u>	<u>Contacts Closed</u>	<u>Lamp Status</u>
	Aux. power off	4-5 and 7-8	Off
1	Normal level	3-4 and 7-8	Normal on (green)
2	Warning (low)	3-4 and 6-7	Lamps off
3	Alarm (high)	4-5 and 6-7	Alarm on (red)



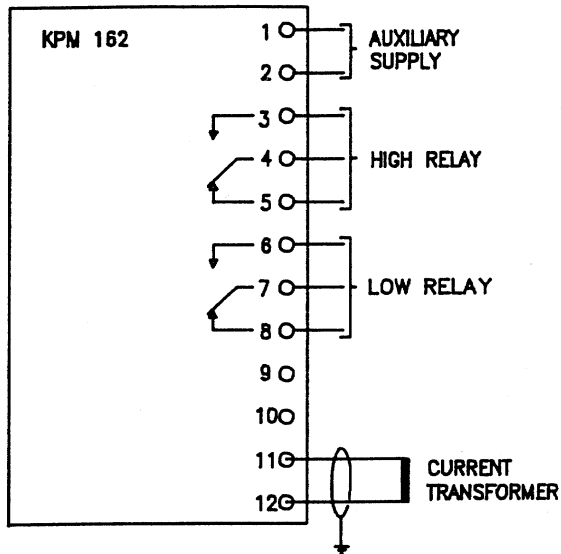
Note 1. Operation of High relay (ALARM) inverted (fail safe)

Note 2. Operation of relays delayed in direction of arrows, instant reset

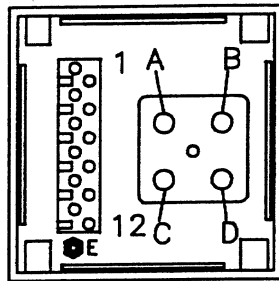
SPECIFICATION

System	: 1 or 3 phase AC	Residual C.T.	: See datasheet RCT - page 3.140
Auxiliary voltage	: Std voltages 110-440V AC	Consumption	: 2VA
	: 24V DC	Output relays	: Potential free C/O contacts
Trip WARNING (Low)	: 0 to 100%		: AC: 1800VA 440V max.
Trip ALARM (High)	: 0 to 100%		: DC: 50W Resistive 200V max.
Delay WARNING (Low)	: 0 to 30 secs	Dimensions	: See Diagram G, Section 8
Delay ALARM (High)	: 0 to 30 secs	Weight	: 0.6Kg

<u>Ordering information</u>	:	Auxiliary voltage	:
	:	Scale	:



1. Relays shown de-energised.
2. Low channel energised above set point.
3. High channel energised below set point.
4. Connections to current transformer must be made using screened cable.



- A - Trip level HIGH 0-100%
- B - Delay HIGH 0-30 seconds
- C - Trip level LOW 0-100%
- D - Delay LOW 0-30 seconds
- E - Offset adjustment

SELCO USA, INC.

2508 Lakebrook Court
 Atlanta, GA 30360-1715
 Phone (770) 455-9110 / 1-877-SELCOUS
 Fax (770) 457-3754
 Request@SELCOUSA.com